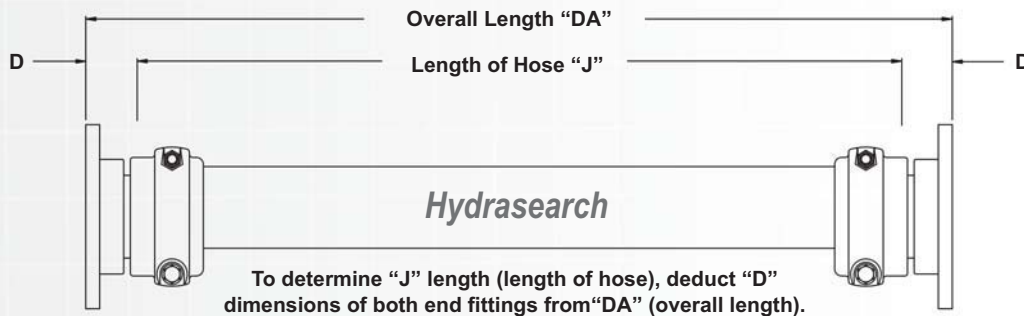


## Hydrasearch LFS End Fittings

Hydrasearch LFS End Fittings are manufactured to be used with layflat hose. These fittings are reusable and can be installed by using a socket wrench. Please follow these instructions to ensure proper installation of the end fittings, shown on pages 127 thru 129, to the HSSA layflat hose on page 6.

**Step 1:**

Cut hose squarely to desired length using a sharp knife

**Step 2:**

Make sure the rubber gasket is installed on the hose nipple. (See Figure 2)

**Step 3:**

Insert the nipple into the hose until the hose bottoms squarely against the nipple shoulder.

**Step 4:**

Place the segments around the hose so that the lip on the segments capture the shoulder on the nipple. (See Figure 1)

**Step 5:**

Insert bolts into round pocket and hex nuts into other adjacent pockets.

**Step 6:**

Tighten bolts at random taking care to maintain an even spacing between the segments. Never tighten one set of bolts completely without tightening the other bolts. This will cause uneven gripping of the hose.

**Step 7:**

Continue tightening bolts alternatively to maintain even spacing between segments until the torque specified in the table below is achieved.

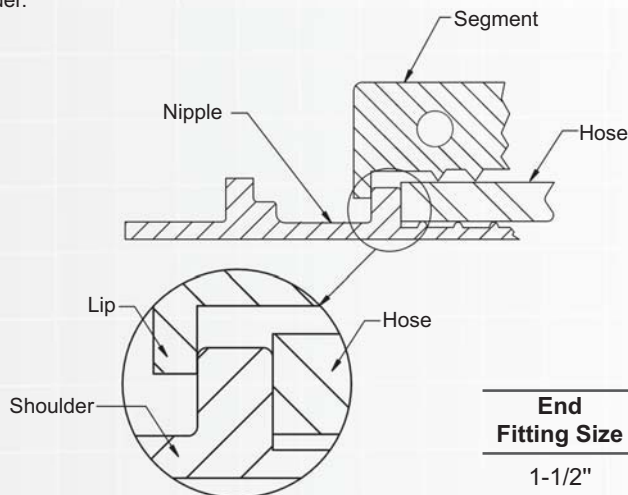


Figure 1

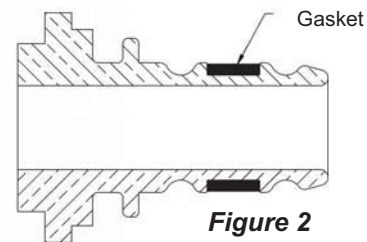


Figure 2

*All hose assemblies should be hydrostatically tested to proof pressure before being put into service.*

End Fitting Size	Bolt Size	Wrench Size	Torque Requirements
1-1/2"	3/8"	9/16"	35 ft. lbs.
3"	3/8"	9/16"	35 ft. lbs.